

12 and 24V | From 16 to 60A

Shore-power units

YPOWER+



Made in France



Warranty 3 years



9.4/10 Repairability index



Silent



Compact



4 outputs



Bluetooth



Lithium



CAN-BUS Interface

YPOWER+

A charger and an AC electrical panel in a compact cabinet

The new CRISTEC shore-power units combine, in a single cabinet, the AC protection and distribution, as well as an automatic battery charger. The complete system meets the European standards in force and makes it possible to optimize size and assembly time. User protection consists of a two-pole differential RCD (Residual Current Device) and the distributions are made by 2 to 6 two-pole circuit breakers (Over Current Protection Device). The battery charger function is ensured by an HF switch-mode electronic card, stemming from the latest YPOWER+ generation.



Made in France



Warranty 3 years



9.4/10
Indice de
Réparabilité

Two-pole
RCD 30mA

16A or 32A circuit
breaker according
to models

Protection



Silent operating

CRISTEC offers shore-power units with natural convection (without fan). This specificity gives them a completely silent operation and an optimized lifespan.



4 independent outputs *

The shore-power units have 4 independent charger outputs, including one dedicated to the engine battery. (*except models 12V 16A & 25A, 3 banks).



Worldwide use

Automatic detection of power supply network, from 90 to 265VAC and from 47 to 65Hz.



Adaptative charging

Custom-made and simultaneous recharge of 4 battery banks. (*except models 12V 16A & 25A, 3 banks).

YPOWER+ shore-power units are compatible with all types of batteries:

- Opened classic lead
- Sealed, gel or AGM
- Spiral sealed
- Lithium Iron Phosphate (LiFePO4) with BMS
- Other technologies: contact us.



Remote control

The shore-power units are fitted with a CAN-Bus interface as standard (according to models).

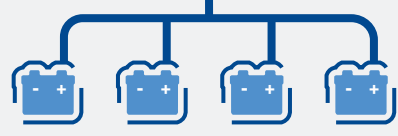


12 and 24V
From 16 to 60A

Space available for integrating an AC socket

Up to 6 subsidiary circuits
Circuit breakers 10A or 16A according to models

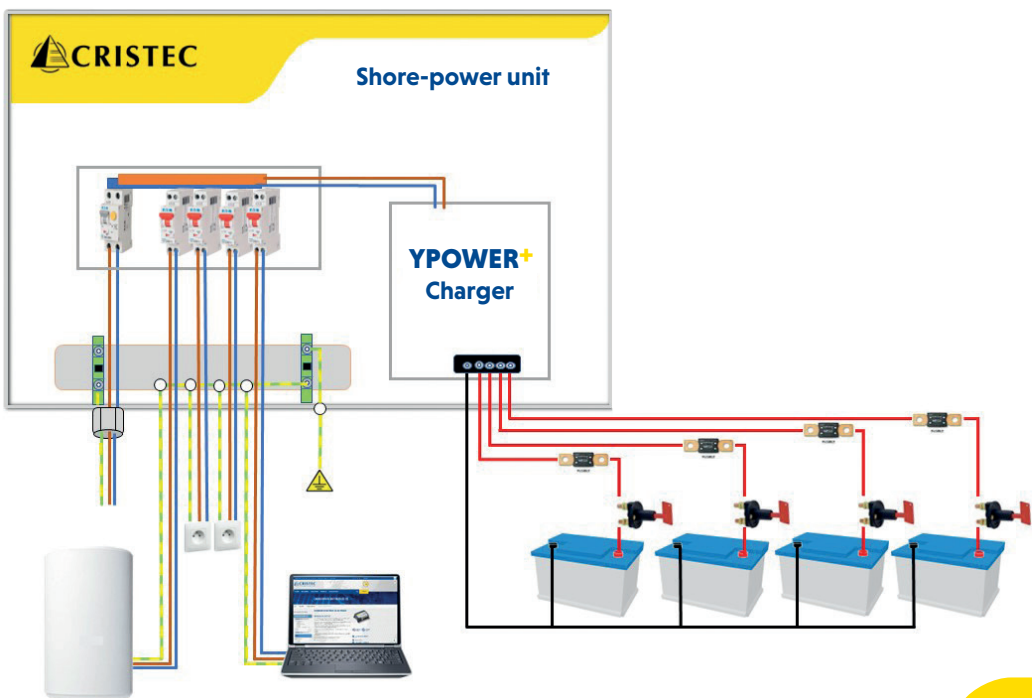
Distribution



4 independent outputs *



Bluetooth



Model	AC electrical panel				Battery charger			
	Main RCD	AC outputs	16A circuit breakers	10A circuit breakers	Voltage	Nominal current	Recommended battery bank*	Number of outputs
UEYPOPL/12-40/3D	30mA / 16A	3	-	3	12V	40A	300-500Ah	4
UEYPOPL/12-40/4D		4		4				
UEYPOPL/12-40/4D3	30mA / 32A	4	3	1		60A	500-700Ah	
UEYPOPL/12-60/3D	30mA / 16A		-	3				
UEYPOPL/12-60/4D	30mA / 32A	4	-	4				
UEYPOPL/12-60/4D3		4	3	1				

* Recommended battery capacity for lead type batteries, ratio C/10. Consult us for lithium batteries capacity.

Technical specifications

Model	YPOWER+ 12V-40A	YPOWER+ 12V-60A
Casing		
Material	Casing : • Frame and cover of EZ stainless steel • Anodized aluminum heatsink	
Painting	• RAL 7015 satin slate gray frame • RAL 7047 satin gray cover	
Dimensions (length, height, depth) / Weight	350 x 241 x 171mm - 7Kg	
Fixing center distance	180 x 133mm	
Fixing screw (wall)	4 x M5 round head screws	
Protection factor	IP20	
Environment		
Operating Temperature	From -20°C to +60°C, derating from 60°C	
Cooling	Natural (fanless)	
Relative humidity	Up to 70% (95% without condensation)	
Input		
Voltage	115VAC ⁽¹⁾ / 230VAC +/-15% single-phase	
Frequency	50/60Hz ⁽¹⁾	
Current consumed 230/115VAC	2.7/5.6A	4.4/8.7A
Efficiency	> 90%	
Output		
Number of battery banks	4 separate positive terminals : +BAT E, +BAT 1, +BAT 2 and +BAT 3 (integrated MOSFET splitter) 1 negative terminal : -BAT Each bank can be used individually and delivers the rated current	
Nominal current (+/-7%) @ rated power	40A/570W	60A/855W
Charging curve	Charging curve selection by internal push-button, Bluetooth or CAN-Bus (depending on model) (Boost, Absorption, Floating and Refresh)	
Battery type	Sealed lead as factory setting - Other selections by pushbutton : Gel, AGM, calcium lead, LiFePO4, DC power-supply mode, etc. Specific request on demand	
Automotive fuses mounted in series in minus pole -BAT	3 x 30A/32V (F400, F401, F402)	4 x 30A/32V (F400, F401, F402, F403)
Electrical protections		
	Against transient input overvoltage by varistor (not covered by warranty) Against output polarity reversal by fuses Against abnormal overheating	
Standards		
CE / EMC	NF EN61000-6-1, NF EN61000-6-2	
Communication		
	CAN-Bus / Bluetooth as standard	
Options		
Temperature probe	Output voltage compensation -18mV/°C	

⁽¹⁾ Consult CRISTEC for any use at 115VAC/60Hz