



DC/DC CONVERTERS

PRESENTATION

The CRISTEC switch-mode DC/DC converters are dedicated to the power-supply of electric and electronic equipment.

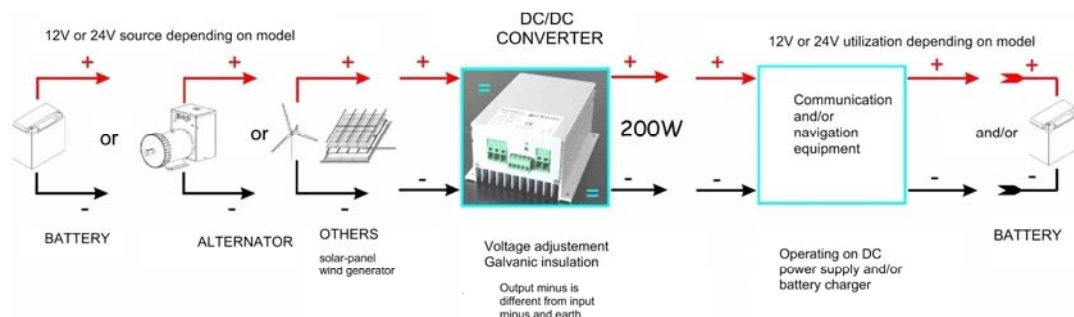
They guarantee a high quality of the output voltage and ensure insulation. Thanks to their input voltage range they can be connected

GENERAL CHARACTERISTICS

- **Input voltage :**
 - 12Vdc : from 10 to 18Vdc
 - 24Vdc : from 18 to 36Vdc
 - 48Vdc : from 36 to 72Vdc
- **Input protection :** Against polarity reversal; EMI filter; by fuses
- **Output voltage :**
 - 12 or 24 or 48Vdc nominal - Voltage adjustment by internal potentiometer
- **Output electric characteristics :**
 - Typical efficiency: 75% - Line regulation: 1% - Load regulation: 2% (10 to 100%)
- **Output protection :** Against short-circuit; against overload by current limitation; against overvoltage (Vnom +25%)
- **Output power :** 195W
- **Operating temperature :** from 0°C to +50°C
- **Storage temperature :** from -20°C to +85°C
- **Ventilation :** Natural
- **Dielectric rigidity :** Input/Output >1000Vdc
- **Standards :** Safety : EN 60950 ; EMC : EN 50081-2 ; CE marking
- **Presentation :** In closed box; fixing on screw terminals
- **Output voltage failure relay**
- **2 years warranty**



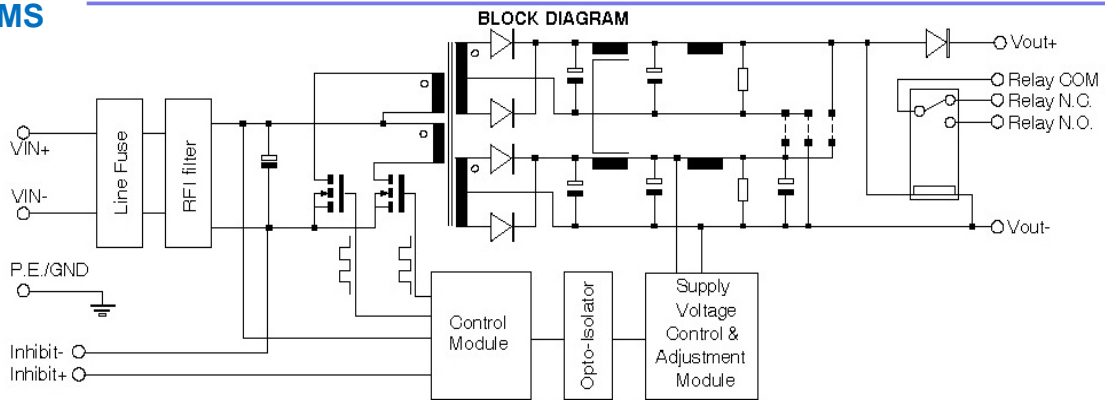
TYPICAL INSTALLATION



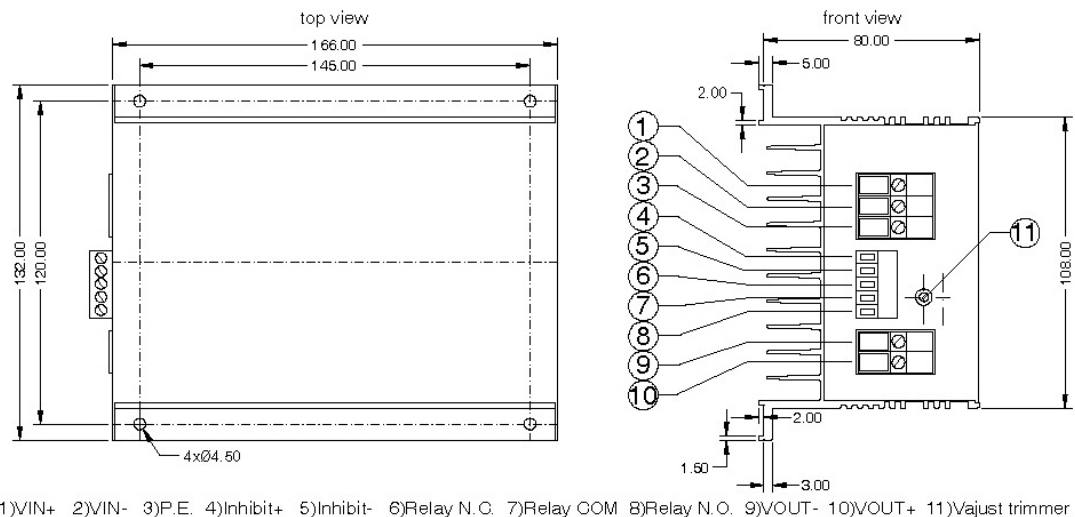
RANGE

Item code	Description	Input voltage (Vdc)	Output voltage (Vdc)	Output current (A)	Max. output current (A)	Dimensions LxWxH (mm)
25000160DD	SD 203-I1-DD-AL	12	12	16	18	166x108x80
25000163DD	SD 206-I1-DD-AL	12	24	8	10	166x108x80
25000166DD	SD 208-I1-DD-AL	12	48	4	5	166x108x80
25000161DD	SD 203-I2-DD-AL	24	12	16	18	166x108x80
25000164DD	SD 206-I2-DD-AL	24	24	8	10	166x108x80
25000167DD	SD 208-I2-DD-AL	24	48	4	5	166x108x80
25000162DD	SD 203-I3-DD-AL	48	12	16	18	166x108x80
25000165DD	SD 206-I3-DD-AL	48	24	8	10	166x108x80
25000168DD	SD 208-I3-DD-AL	48	48	4	5	166x108x80

DIAGRAMS



DIMENSIONS AND CONNECTIONS



SAS CRISTEC INDUSTRIES

31 Rue Marcel Paul – ZI Kerdroniou Est - 29000 Quimper - FRANCE

Tel. : +33 (0)2 98 53 80 82 – Fax : + 33 (0)2 98 55 64 94

Email : info@cristec.fr

ISO 9001

BUREAU VERITAS
Certification



Specifications may change without notice. Please contact us.